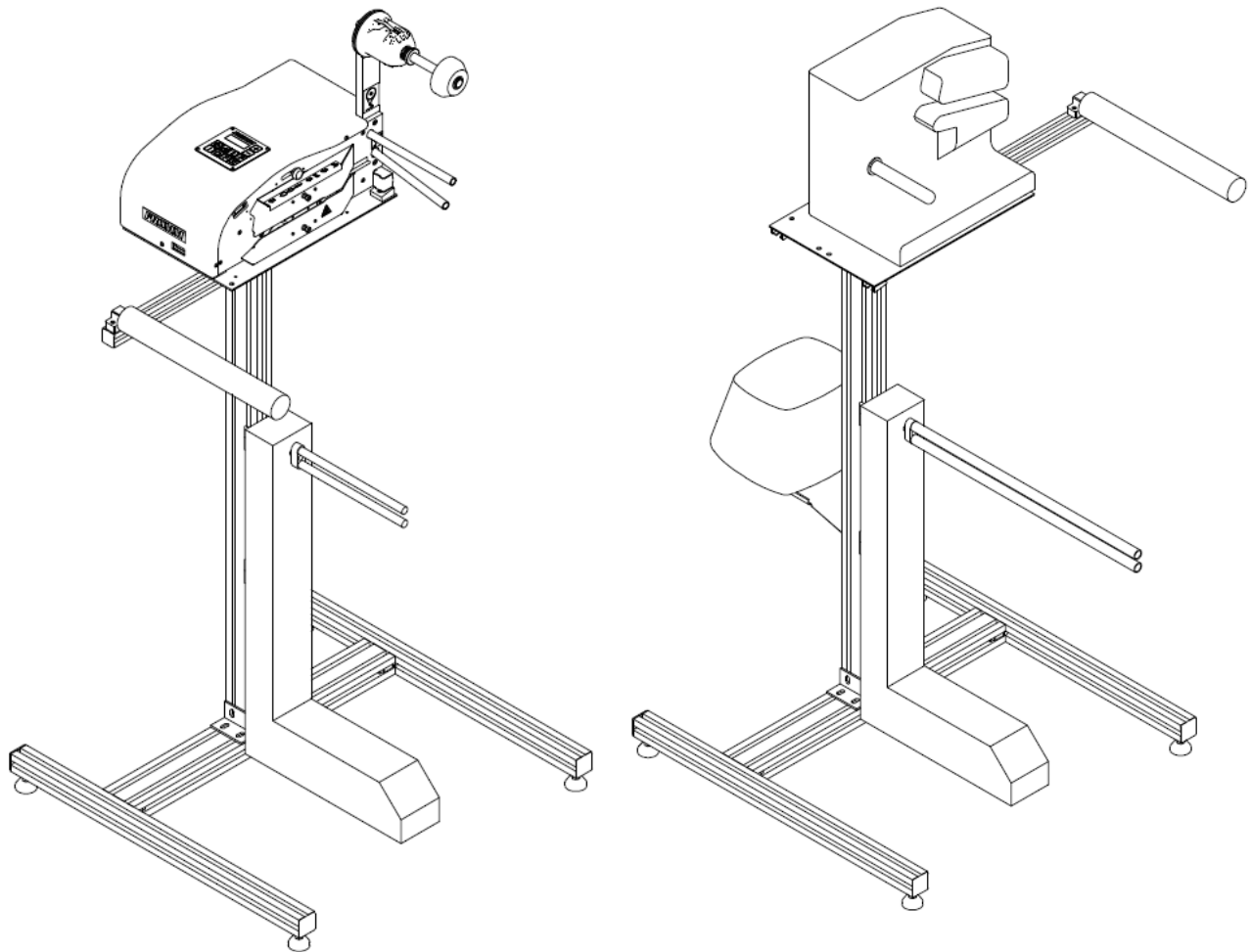


Compact stand with or without winder



Characteristics

Simple and compact solution to support machine

- without winder for floor bin feeding
- with optional winder for rolls production
- easy transportation and assembly

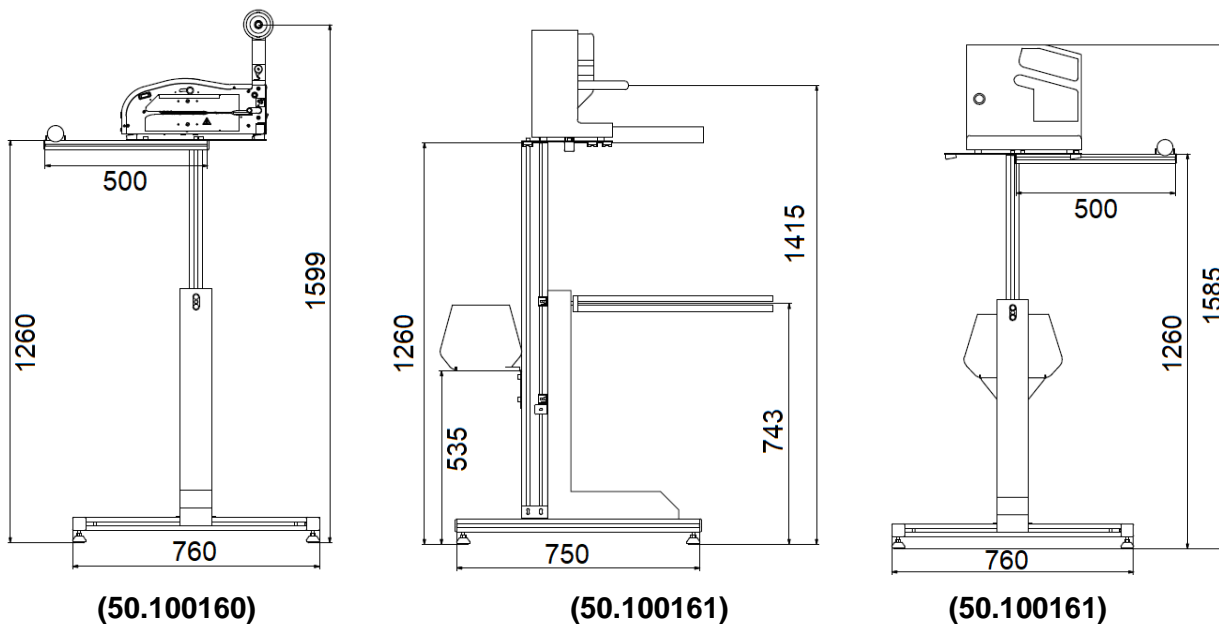
Universal solution:

- can be associated with the AP100 (V1 & V2), AP150 STD and AP150 PRO
- 110V and 220V
- Useable for all Airpad formats, 400mm/16" wide films and above

Technical specifications

Dimensions:	Height	1260mm - 49.6"
	Width	760mm - 30.0"
	Depth	750mm - 29.5"

Technical drawings



Types and codes

	AP100		AP150 STD		AP150 PRO *	
	220V	110V	220V	110V	220V	110V
	50.2103	50.2103	50.1092	50.109	50.1096	50.1094
Stand only	50.100160	50.100160	50.100160	50.100160	50.100161	50.100161
Films	400mm	16"	400/600mm	16" / 24"	600/800mm	24" / 32"
Control box	AP1.0811	AP1.0812	50.2127	50.2127	50.2127	50.2127
Winder	50.2120	50.2122	50.2120	50.2122	50.2120	50.2122

* to be used with external control box (item code 50.2127) and an ethernet/RJ45 port splitter for the external air pump